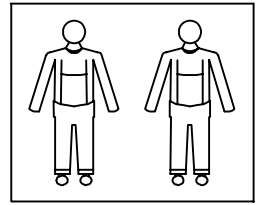









LIVING SPACES

ASSEMBLY INSTRUCTION



5min

A	5236-01-A	 X 12
B	5236-01-B	 X 12
C	5236-01-C	 X 1
D	5236-01-D (Front Legs)	 X 2
E	5236-01-E (Back Legs)	 X 2

